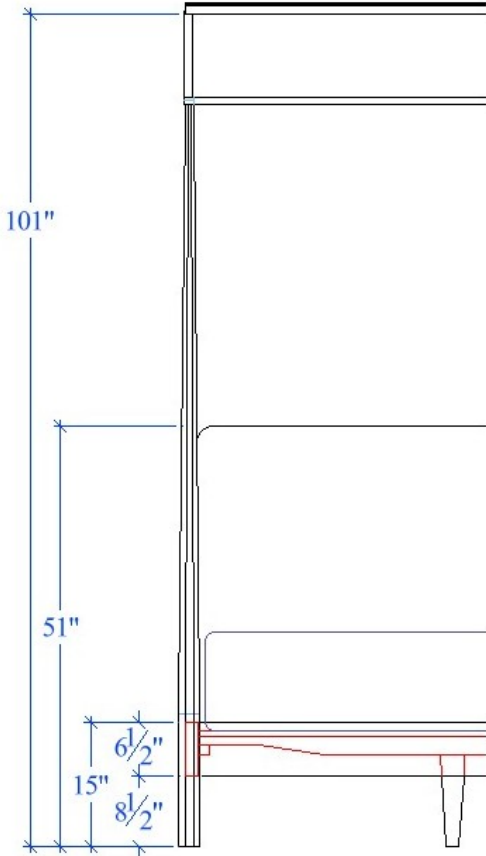




ROSE TARLOW
MELROSE HOUSE



Date _____
 Client _____
 RTMH# _____
 Showroom _____
 Salesperson _____
 Sidemark _____

BH640 Clarence Canopy Bed Details:

Designed to accommodate a standard U.S. mattress (client provided) in width and depth.

Standard U.S. mattress Dimensions:

Queen: 60"W x 80"D
 California King 72"W x 84"D
 King 76"W x 80"D

- Standard bed frame comes with 3/4" plywood platform to accommodate c.o. mattress ONLY.
- Plywood platform can be replaced with slats to accommodate c.o. box spring, if required.
- Ships in multiple pieces. On-site assembly required
- Standard bedding allowance is 1" between rails and boxspring/mattress, at all (4) sides.

Specify custom bedding allowance (if not 1"): _____ inches

Specify: Mattress only w/Platform Mattress & Boxspring w/ slats

Must specify Sleeping Height (overall height from floor to top of mattress): _____ inches.

Sales Order Details:

Bed Size	Mattress Size	Boxspring Size
<input type="checkbox"/> Queen	____ W ____ D ____ H	____ W ____ D ____ H
<input type="checkbox"/> California King	____ W ____ D ____ H	____ W ____ D ____ H
<input type="checkbox"/> King	____ W ____ D ____ H	____ W ____ D ____ H

Signature _____ Date _____

Please return completed bed guide to your customer service representative